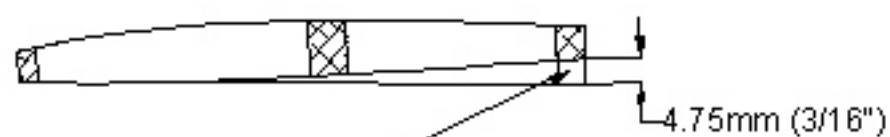




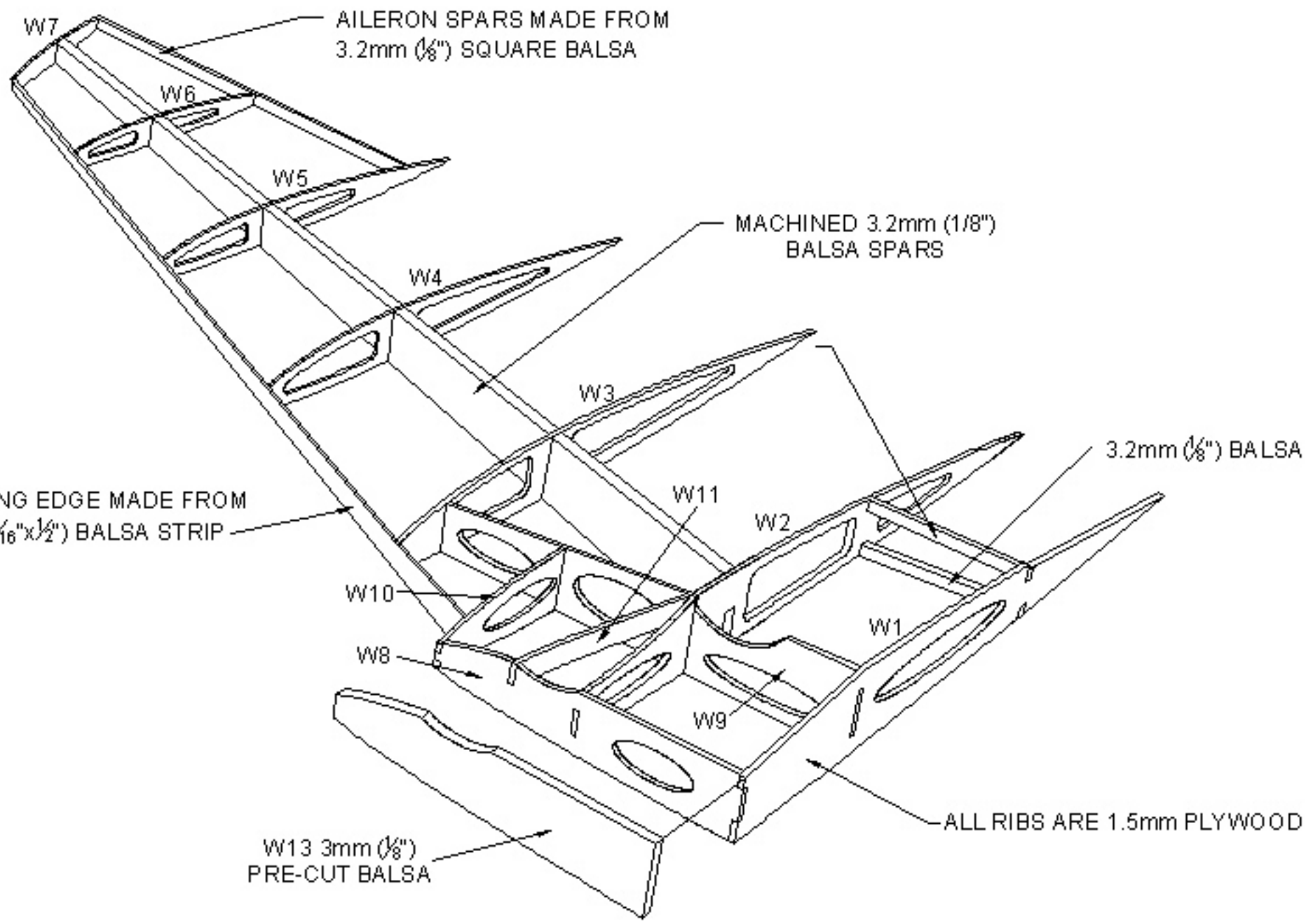
British Aerospace HAWK



MAKE A WEDGE FROM 3.2mm (1/8")
BALSA & PLACE UNDER TRAILING EDGE
TO SET THE WASHOUT ANGLE
(SEE PLAN)

BLEND THIS AREA EACH SIDE
INTO REAR FACE OF INTAKES

BLEND UNDERSIDE OF
WING INTO FORMERS F8 &
F11 (SEE PLAN)



BASIC WING STRUCTURE